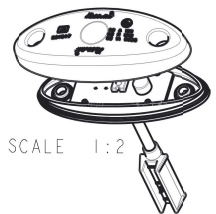
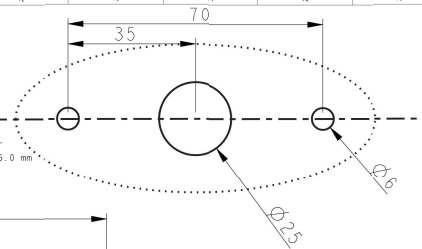
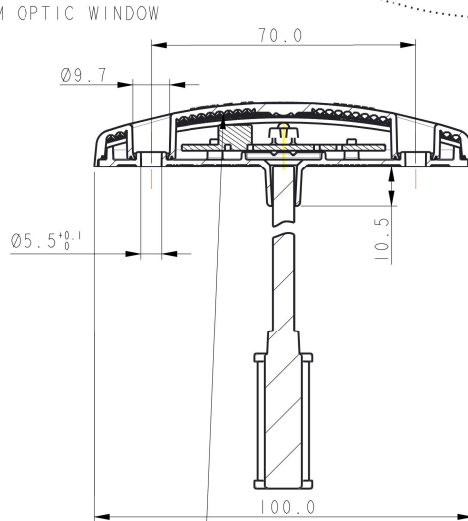
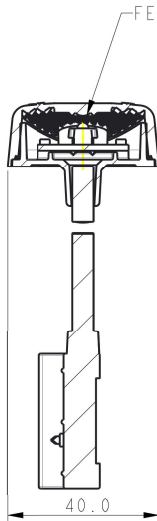
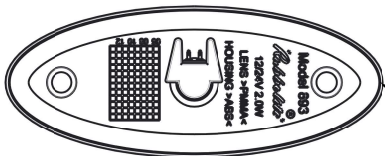
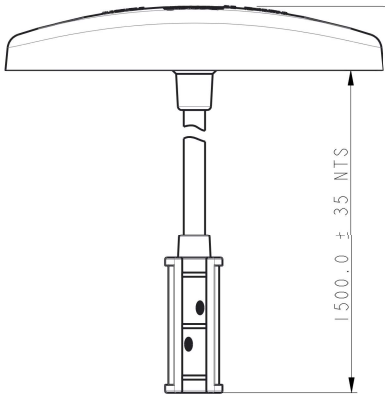


IF IN DOUBT ASK DO NOT SCALE UNLESS OTHERWISE STATED ALL DIMENSIONS ARE IN MILLIMETRES

THIRD ANGLE PROJECTION

CLICK-IN COVER PART NO. 90513 AVAILABLE SEPARATELY



RECOMMENDED TIGHTENING TORQUE: 0.75Nm

RECOMMENDED SCREW TYPE IS A No. 10 SELF TAPPING PANHEAD

30-10-01	8869	1
DATE	CHANGE No.	REV

WHITE HOUSING

ALL MODIFICATIONS TO THIS DRAWING MUST BE CARRIED OUT ON P/ENG/ENGINEER  
THIS DRAWING IS CONFIDENTIAL TO THE RECIPIENT  
THIS DRAWING IS THE PROPERTY OF TRUCK-LITE EUROPE LTD AND IT IS NOT TO BE COPIED OR DISCLOSED EITHER IN WHOLE OR IN PART TO ANY OTHER PERSON WITHOUT THE CORRECT IN WRITING OF TRUCK-LITE EUROPE LTD

APPROVAL REQUIREMENTS  
SEE NOTES  
ENVIRONMENTAL SPECIFICATIONS  
RMS B001-04

TOLERANCES  
DIMENSIONAL  
0 ± 0.3  
0.0 ± 0.2  
0.00 ± 0.1  
ANGULAR  
± 0.5°

WARRANTIES DO NOT COVER DAMAGE TO OR FAULTS IN THE PRODUCT RESULTING FROM ABUSE OR MISUSE, FROM INSTALLATION OR USE IN A MANNER INCONSISTENT WITH OUR INSTRUCTIONS OR FROM THE INCORPORATION OF ANY REPLACEMENT PARTS NOT MANUFACTURED BY US.

DRAWN BY M Rowling DATE 12-Sep-06 ORIGINATOR  
CHECKED R Wright DATE 23-05-07 R Field

COPYRIGHT ©  
TRUCK-LITE EUROPE LTD  
HARLOW ESSEX CM19 5FA

DESCRIPTION  
LAMP ASSY, FEOM/RFX, 12/24V, 1.5M HARNESS, CLICK-IN  
THIS PART MUST CONFORM TO RUBBELITE SPECIFICATION 001 TOXIC AND HAZARDOUS MATERIALS CONTROL

SIZE SCALE PROJECT REF DRAWING NO. SHEET 1/2 ISSUE CHANGE No  
A3 1:1 DD3533 893-61-15 1 8869

APPROVED TO THE FOLLOWING REGULATIONS:  
7-02 CAT A  
3-02 CLASSIA

- NOTES:  
1: PRODUCT TO BE CLEARLY MARKED WITH RUBBELITE LOGO  
2: CHANGE TO DESIGN OR MANUFACTURE TO BE ADVISED IN WRITING  
3: PARTS TO BE PICKED ONE UNIT PER BOX, MARKED WITH FL PART NUMBER  
4: ALL VISIBLE SURFACES TO BE FREE FROM FLOW MARKS AND VISUAL DEFECTS  
5: ALL LAMP ASSEMBLIES TO BE 100% ELECTRICALLY TESTED + MARKED ONCE PASSED  
6: VOLTAGE: 12/24V, 2.0W, DUAL POLARITY  
7: LENS AND HOUSING TO BE HERMETICALLY SEALED  
8: ALL CRITICAL COMPONENTS TO BE POTTED  
9: UNIT TO COMPLY WITH EMC DIRECTIVE 2004/104/EC  
10: IMPACT MODIFIED LENS MATERIAL