

DCA FAMILY

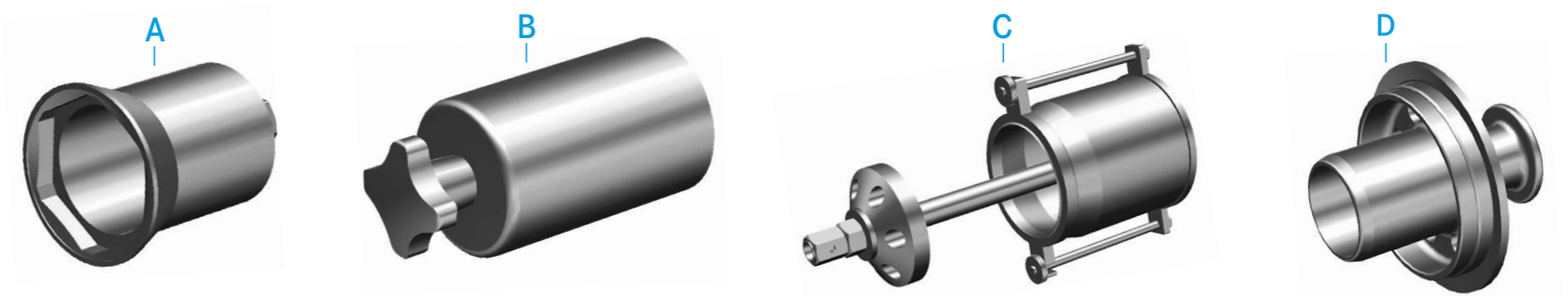
DCA WEIGHTMASTER | DCA MEGAMASTER | DCA AIRMASTER | DCA STEERMASTER

Identify axle

Daimler AG Kassel - Germany www.dca-family.com			
model	TE5/8KC7-9	ID1-	TE5
type des.	749334	ID2-	SK7
serial no.	H485442	ID3-	11772
var.	036041303	ID4-	TDB 0815
axle load	9.000	kg stat. perm.	v max. 105 km/h

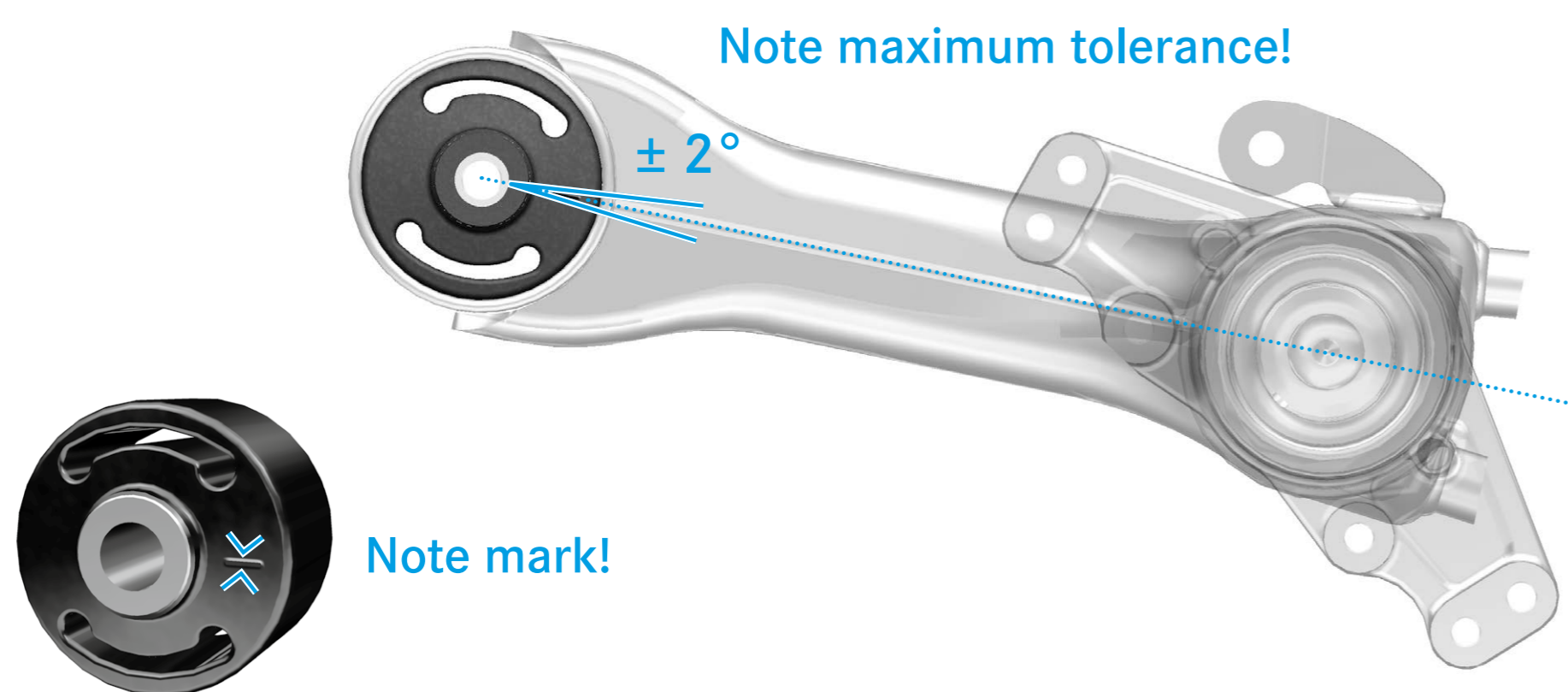
- 1 TZ = Wheel offset 0
- 2 TE = Wheel offset 120
- 3 TL = Steering axis wheel offset 120
- 4 8 = DCA design
- 5 TDB 0571 = Knorr brake SN7
- 6 TDB 0637 = Knorr brake SN6
- 7 TDB 0815 = Knorr brake SK7

Special tools for maintenance and repair

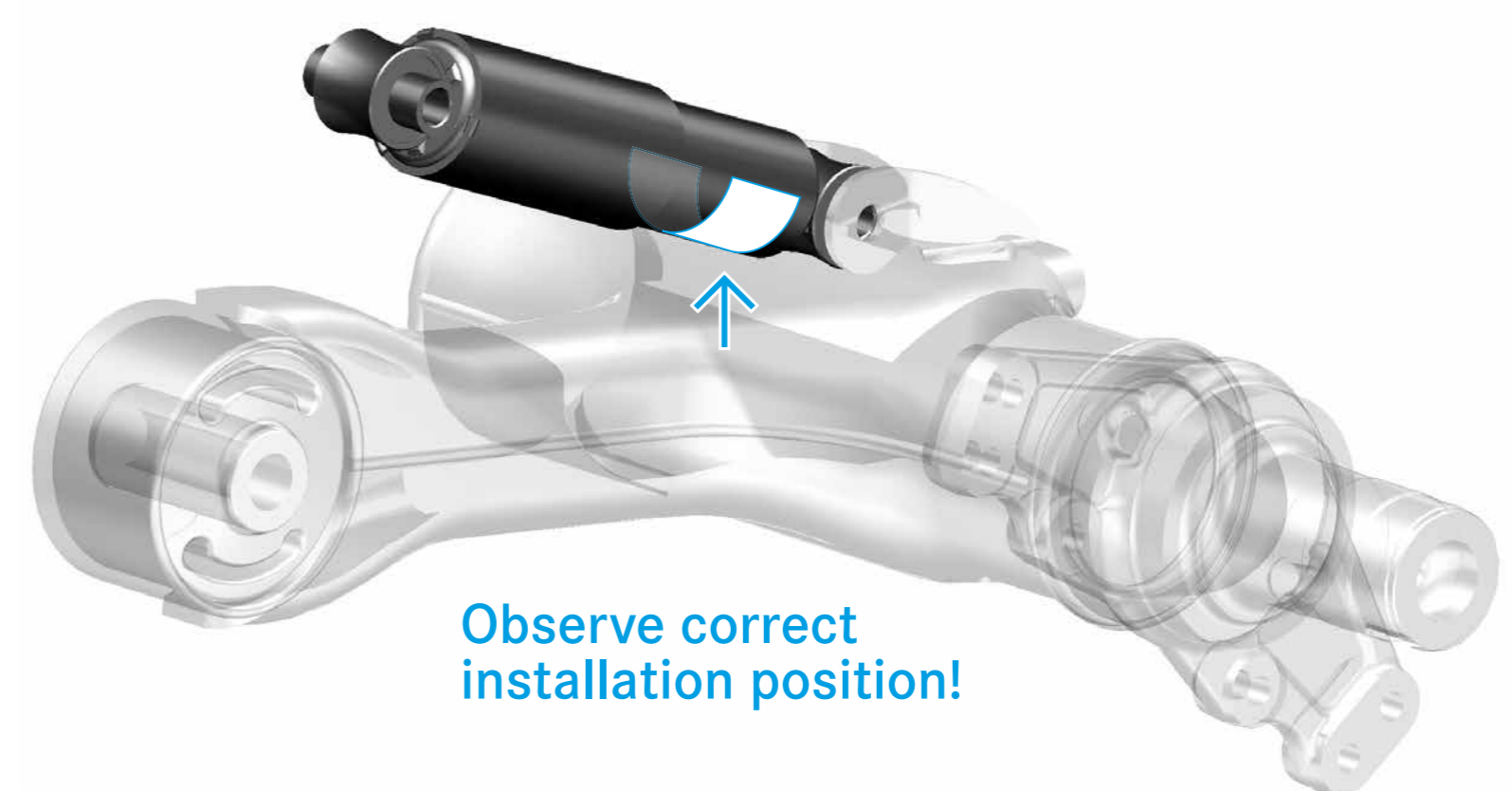


A	Socket wrench for hexagon nut with collar M80 x 1,5	A 946 328 22 01
B	Assembly sleeve for compact bearing hub	
	Right-hand thread	W 749 589 02 14 00
	Left-hand thread	W 749 589 01 14 00
C	Extraction and insertion tool for 3D bushing	W 749 589 01 33 00
D	Installer sleeve for installation of ABS measuring ring	W 749 589 00 15 00

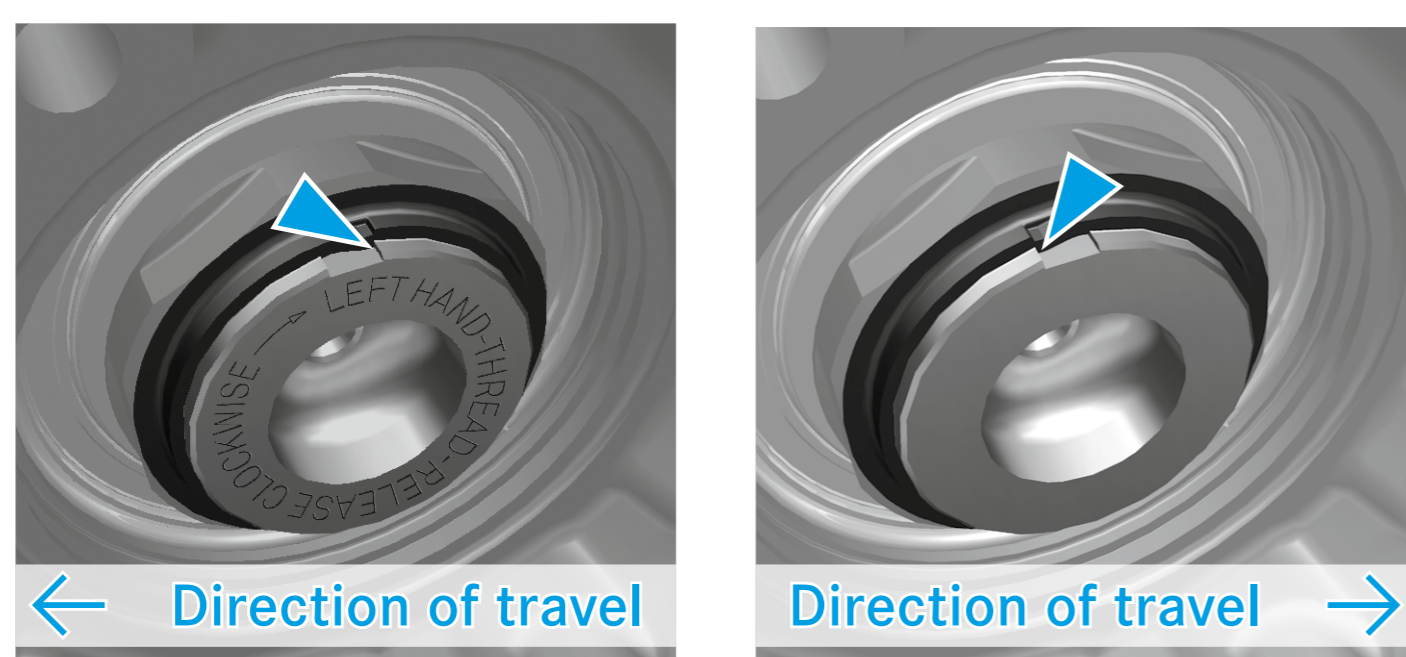
Installation position of 3D bushing



Installation position of damper



Retainer for the hexagon nut with collar M80 x 1,5



Left side of vehicle is equipped with left-hand thread. Secure the hexagon nut with collar with the chisel in the loosening direction, meaning opposite the direction of travel.

Right side of vehicle is equipped with right-hand thread. Secure the hexagon nut with collar with the chisel in the loosening direction in the left groove, meaning opposite the direction of travel.

Additional important information



The engraving on the left axle spindle shows the left-hand thread.

A slot on the back marks the hexagon nut with collar with left-hand thread.

Slightly lubricate friction surface between pressure plate and nut, but not the thread.

i Complete information on the internet

Note the complete repair description in our electronic information systems (Workshop Information System WIS or website www.dca-family.com, Service menu item, Repair specifications submenu item). The listed torque specifications refer exclusively to Mercedes-Benz genuine replacement parts.

You are able to receive the special tools for repair and maintenance in the e-shop of the Daimler AG Service Portal under www.service-and-parts.net.

www.dca-family.com

Service-Hotline: +44 7769 887 287

Status 09 2012, changes excepted!

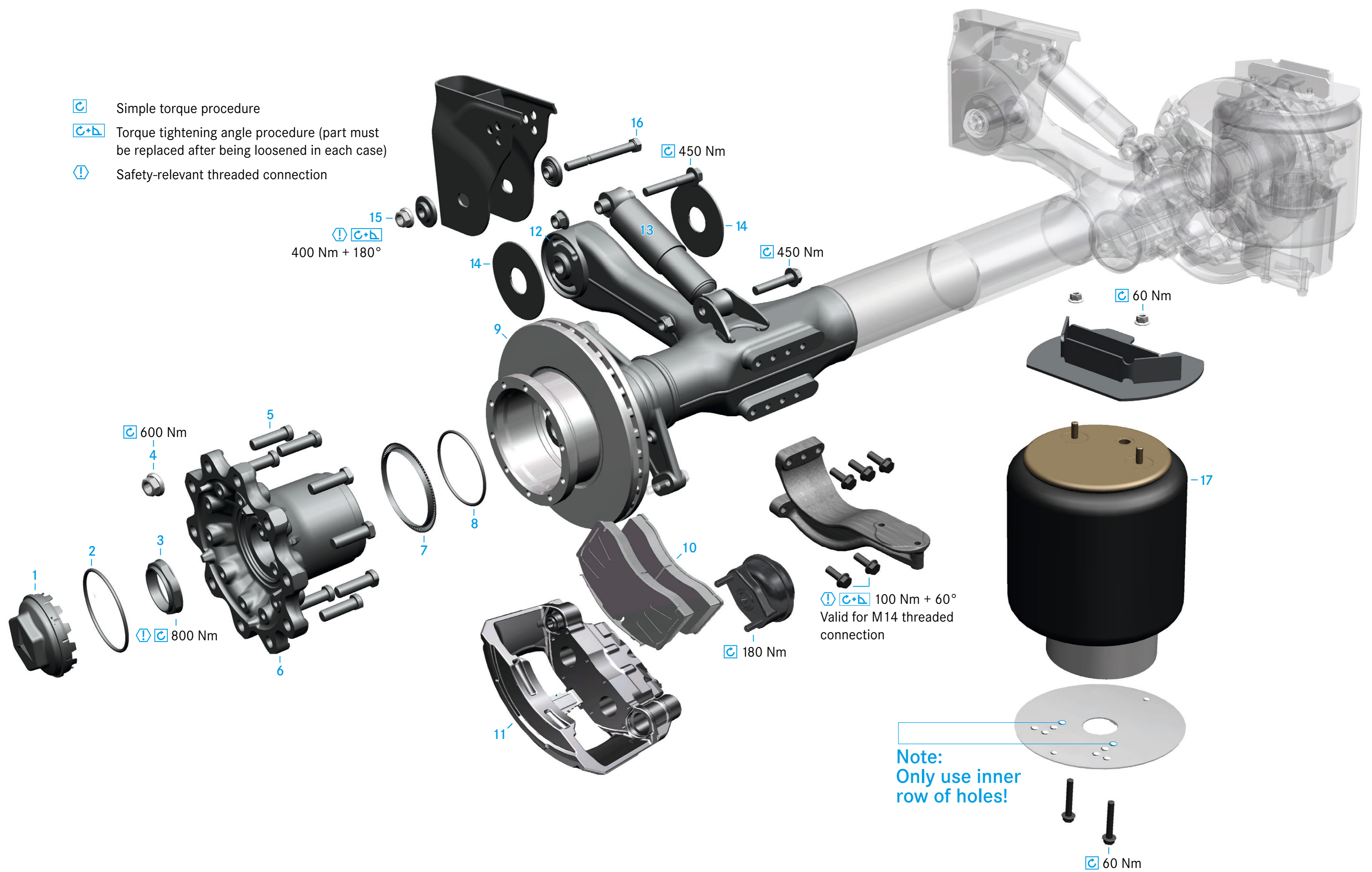
TrailerAxleSystems



Mercedes-Benz

DCA FAMILY

DCA WEIGHTMASTER | DCA MEGAMASTER | DCA AIRMASTER | DCA STEERMASTER



Extract relevant parts

Item no.	Parts designation	Part no.
1	Hub cap	A 946 356 04 20
2	O-ring	A 027 997 88 48
3	Hexagon nut with collar M80 x 1,5 with right-hand thread (right side of vehicle)	A 970 990 00 50
	with left-hand thread (left side of vehicle)	A 970 990 01 50
4	Wheel nut	A 000 401 06 72
5	Wheel stud M22 x 1,5 x 80	A 000 401 24 71
6	A Wheel hub with compact bearing ET120 incl. item 8	A 000 350 05 35
	B Wheel hub with compact bearing ET0 incl. item 8	A 000 350 09 35
7	ABS-Measuring ring, rotor - 90 teeth	A 946 334 05 15
8	O-ring	A 029 997 97 48
9	Brake disc	
	Typ SN7-22,5" TDB 0571	A 942 423 01 12
	Typ SN6-19,5" TDB 0637	A 675 421 00 12
	Typ SK7-22,5" TDB 0815	A 942 423 01 12
10	Brake lining set (for 1 axle)	
	Typ SN7-22,5" TDB 0571	A 006 420 10 20
	Typ SN6-19,5" TDB 0637	A 002 420 78 20
	Typ SK7-22,5" TDB 0815	A 004 420 70 20

Item no.	Parts designation	Part no.
11	Left brake actuating unit repair solution (without brake carrier)	
	Typ SN7-22,5" TDB 0571	A 004 420 25 83 80
	Typ SN6-19,5" TDB 0637	A 002 420 26 01 80
	Typ SK7-22,5" TDB 0815	A 003 420 91 83 80
11	Right brake actuating unit repair solution (without brake carrier)	
	Typ SN7-22,5" TDB 0571	A 004 420 26 83 80
	Typ SN6-19,5" TDB 0637	A 002 420 27 01 80
	Typ SK7-22,5" TDB 0815	A 003 420 92 83 80
12	3D bushing	A 946 390 02 50
13	Shock absorber	A 946 326 05 00
	Shock absorber	A 946 326 07 00
14	Anti-wear washer	A 946 328 00 76
15	Nut (wheel nut)	A 000 401 06 72
16	Hexagon head bolt M22 x 1,5 x 195-10.9	A 946 990 00 00
17	Air bellows Ø 300	A 946 328 14 01
	Air bellows Ø 300 (with integrated air inlet)	A 946 328 25 01
	Air bellows Ø 360 L (1D28f / 1T19L-11,5)	A 946 328 15 01
	Air bellows Ø 360 K (1D28a-13 / 1T19L-7)	A 946 328 19 01
	Air bellows Ø 360 M	A 946 328 22 01

www.dca-family.com

Service-Hotline: +44 7769 887 287

Status 09 2012, changes excepted!

Complete information on the internet

Note the complete repair description in our electronic information systems (Workshop Information System WIS or website www.dca-family.com, Service menu item, Repair specifications submenu item). The listed torque specifications refer exclusively to Mercedes-Benz genuine replacement parts.

TrailerAxleSystems



Mercedes-Benz