

# DOUBLEFLIP

Donovan Shurco Dawbarn - 3 brands one company



## DOUBLE FLIP

### Features

- Opens or closes in 10 seconds!
- Optional self-contained power kit for tippers
- Choice of vinyl or mesh tarp
- Lids overlap when closed, preventing blowouts!



For all your replacement parts for Donovan Shurco Double Flip  
Go to [www.dawbarnparts.com](http://www.dawbarnparts.com)  
01525 872466

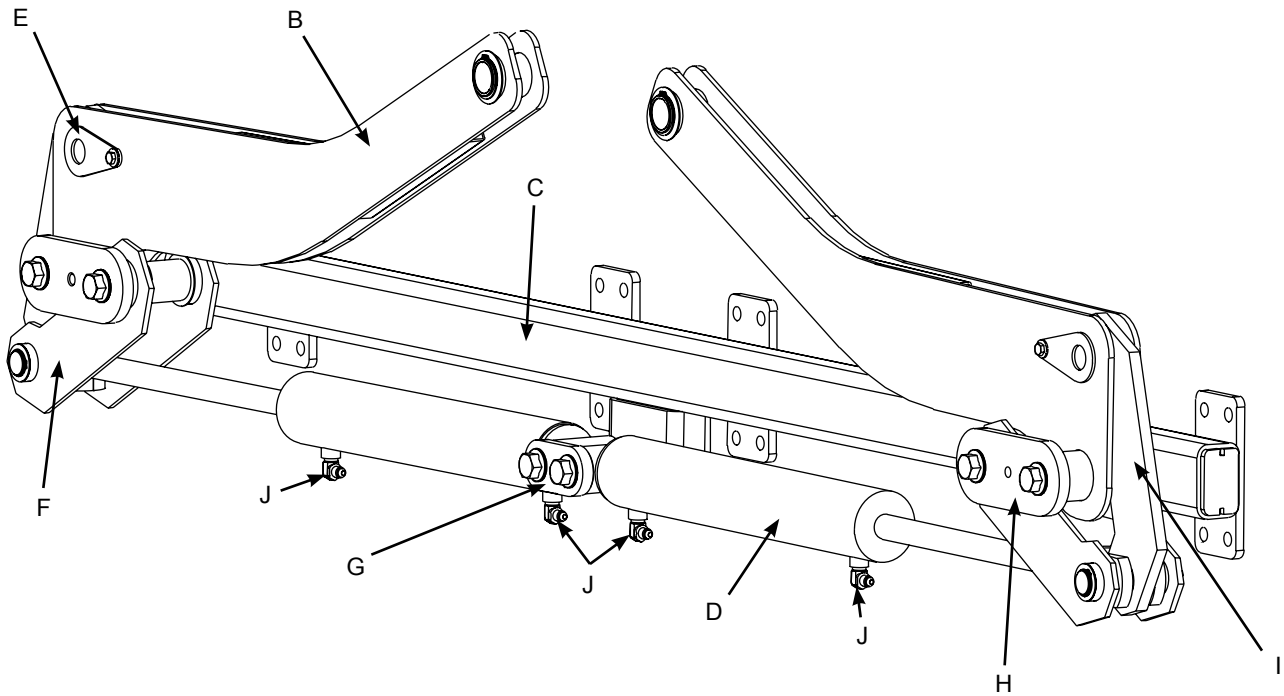
# DOUBLEFLIP

Donovan Shurco Dawbarn - 3 brands one company



## DOUBLE FLIP Head Assembly

(A)



	DESCRIPTION	PART
A	<b>Double Flip Head Assembly, Complete</b>	<b>795</b>
B	Actuator Arm Assembly	803
C	Base Tube Weldment	818
D	Hydraulic Cylinder	812
E	Pin Weldment	817
F	Short Link Assembly	784

	DESCRIPTION	PART
G	Cylinder Pin Connector	801
H	Short Link Pin Connector	800
I	Long Link Assembly	796
J	Hydraulic Fitting	572
	Wind Deflector (not shown)	880

For spare parts click and buy at [www.newtontrailers.com](http://www.newtontrailers.com)  
or call  
01525 872466

